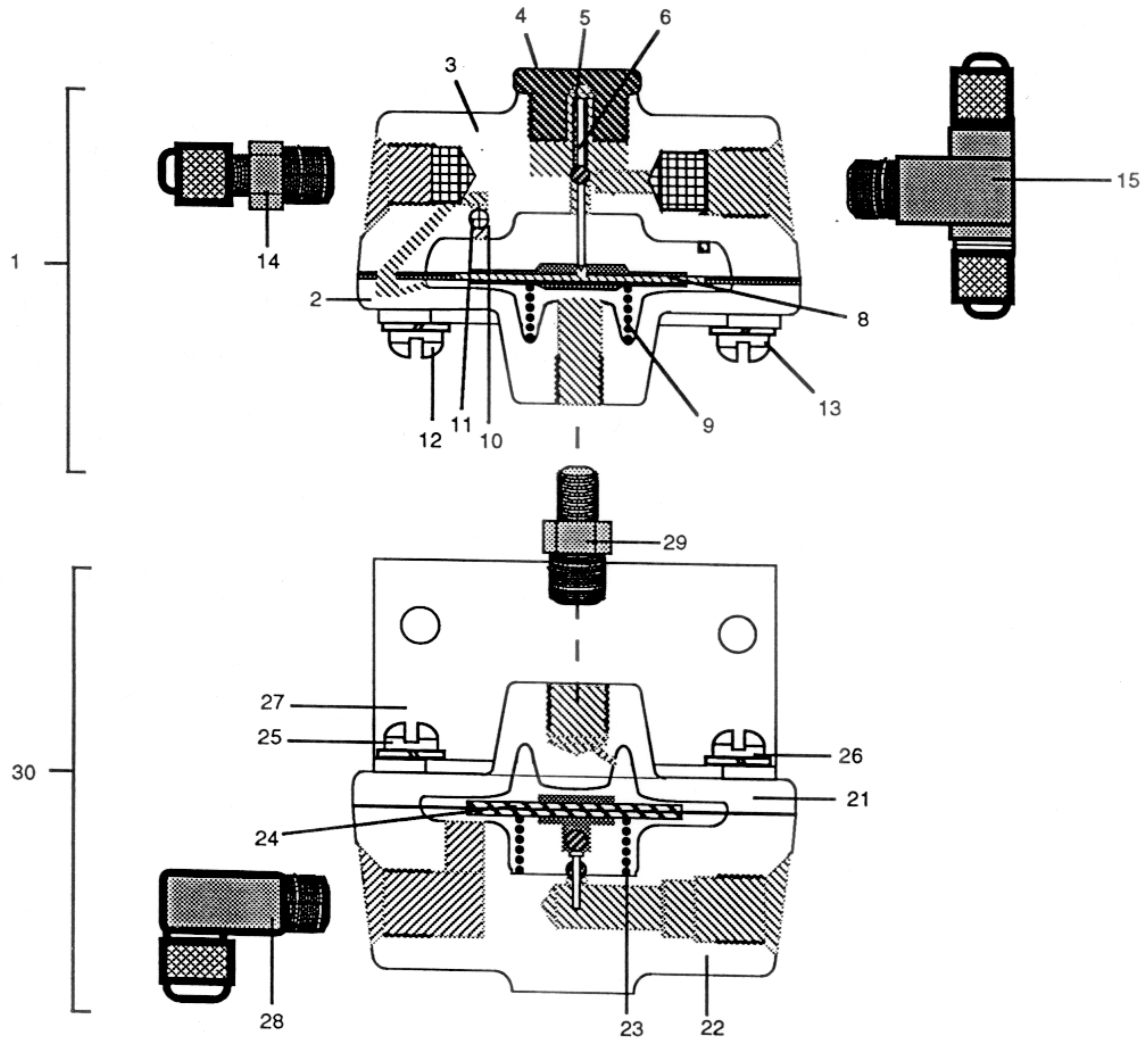


SP&D-KSLC95-0294

KSLC - 95 PNEUMATIC SENSOR LEVEL CONTROL


ITEM	PART NUMBER	DESCRIPTION	QTY	ITEM	PART NUMBER	DESCRIPTION	QTY
1		CD Relay	1	16			
		(includes Items 2-13)	1	17			
2	7135-16	Housing-T	1	18			
3	7135-2	Housing-B	1	19			
4	2155-6	Retaining Nut	1	20			
5	2166-7	Valve Spring	1	21	2881-9	Housing-TBU	1
6	2155-244	Plunger	1	22	2882-18	Housing-BBU	1
7				23	8665-10	Spring	1
8	713519-10323	Diaphragm/Disc Assy.	1	24	2882-8	Valve & Diaphragm Assy.	1
9	572-31	Differential Spring	1	25	3410BU-34	1/4-20 X 3/4 Screw	3
10	7135-9	Cleaning Wire Screw	1	26	3410BU-58	1/4-20 X 5/8 Screw	3
11	71358-29385	Orifice Screw w/ O-Ring	1	27	1145-19	Mounting Bracket	1
12	1-3345	1/4-20 x 7/8 Screw	3	28	AP69P4X4	Nickel Elbow	1
13	1-3410	1/4-20 x 1 Screw	3	29			
14	AP68P4X4	Nickel Connector	1	30			
15	AP27P4X4	Nickel Tee	1			CD Flow Relay	1