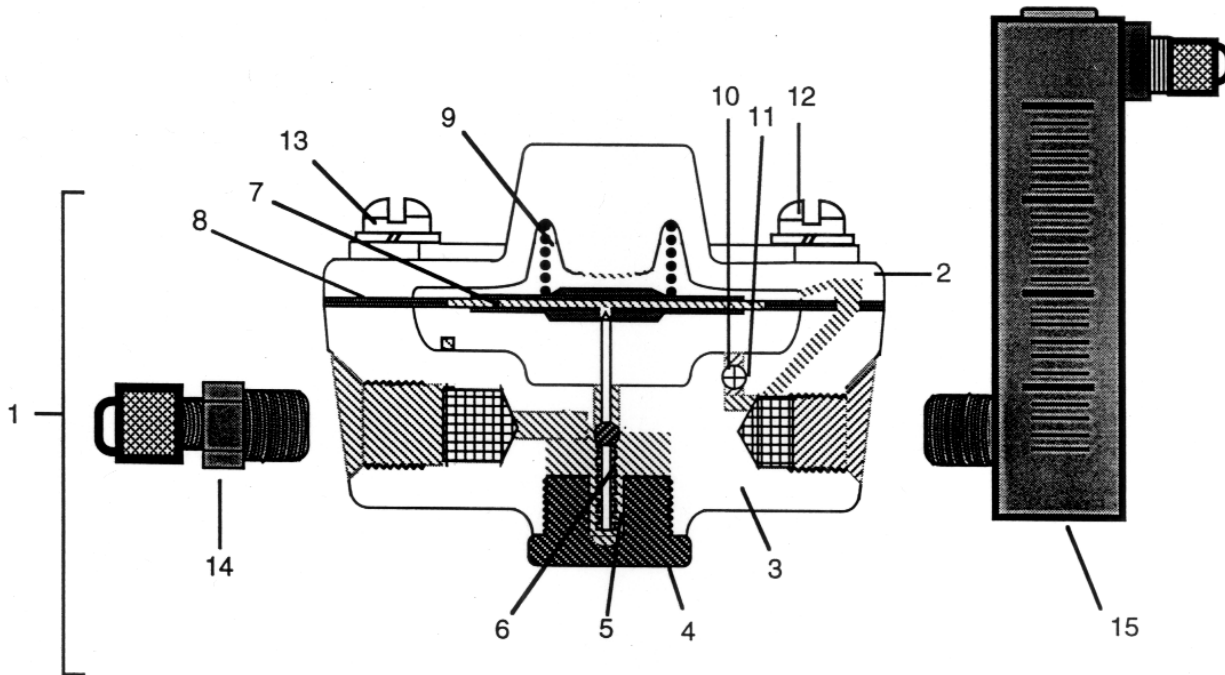


KSLC - 80 PNEUMATIC CONTROL UNIT



ITEM	PART NUMBER	DESCRIPTION	QTY
1		CD Relay (includes Items 2-13)	1
2	7135-16	Housing-T	1
3	7135-2	Housing-B	1
4	2155-6	Retaining Nut	1
5 *	2155-7	Valve Spring	1
6 *	2155-244	Plunger	1
7 *	713519-10323	Diaphragm/Disc Assy.	1
8	1447-3	Exhaust Assy	1
8A *	1447-3DX	Diaphragm Only	1
9 *	572-31	Differential Spring	1
10 *	7135-9/ 8912-10	Cleaning Wire/ Screw	1
11 *	71358 / 8912-2	Orifice Screw w/O-Ring	1
12	1-3345	1/4-20 x 7/8 Screw	3
13	1-3410	1/4-20 x 1 Screw	3
14	AP68P4X4/ 20-84-5	Connector	1
15	VFA-2	Flow Indicator	1

* Parts included in assembly service /Kit #62U595-2